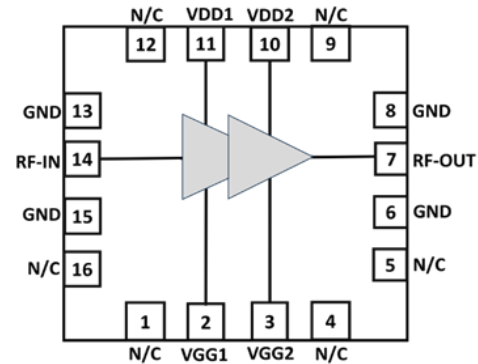


### Features:

- RF Frequency: 2-6 GHz
- Small signal gain: 21.27 dB
- Output P1dB: 23.5 dBm
- Saturated Output Power: 23.8 dBm
- DC drain bias voltage: 5 V
- DC supply current: 60 mA
- DC Gate Bias Voltage: -0.3 V
- 0.1um GaAs pHEMT Technology
- Die Size: 0.9 mm \* 1.45 mm

### Functional Block Diagram



### Description:

RFDA06 is Two Stage Driver Amplifier operates from 2- 6 GHz and it is used to drive the high-power amplifier. The amplifier provides 21.27 dB of small signal gain. The input and output are matched to 50 ohms with on-chip DC blocking capacitors.

The device is specifically designed for use in 2- 6 GHz frequency in Bluetooth, Zigbee, WiFi, IoT and SATCOM Application.

The Technology used to design DA is 0.1um GaAs pHEMT Process. Results are shown in the datasheet with all parasitic & coupling at the desired frequency.

### Pin Configuration

Pin No.	Pin Name	Description
1,4,5,9,12,16	N/C	Not Connected
6,8,13,15	GND	Ground
2	VGG1	Gate Bias Voltage 1
3	VGG2	Gate Bias Voltage 2
11	VDD 1	Drain Bias Voltage 1
10	VDD 2	Drain Bias Voltage 2
14	RF-IN	RF Input
7	RF-OUT	RF Output

### Applications:

- Amateur radio.
- Particle accelerators.
- Nuclear fusion experiments.
- Aeronautical radionavigation service
- Cellular telephony
- Use in satellite communication.

### Deliverables:

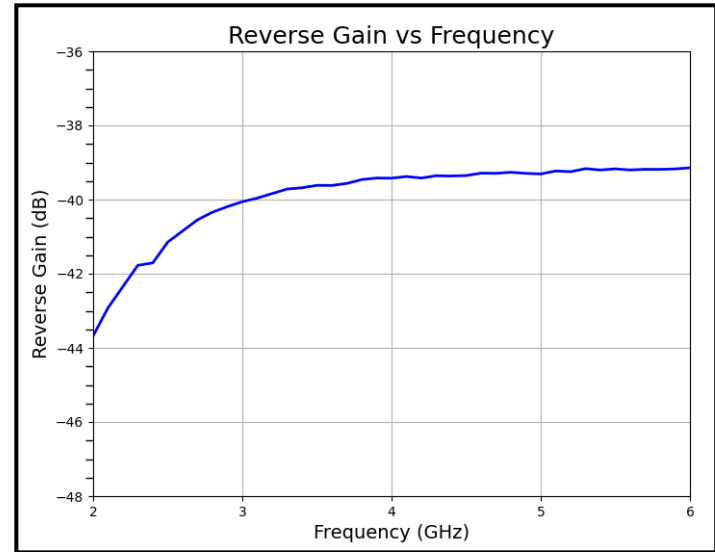
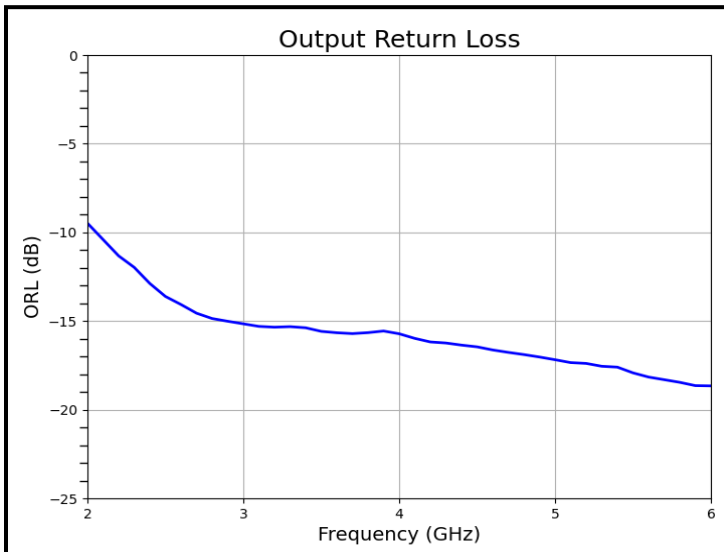
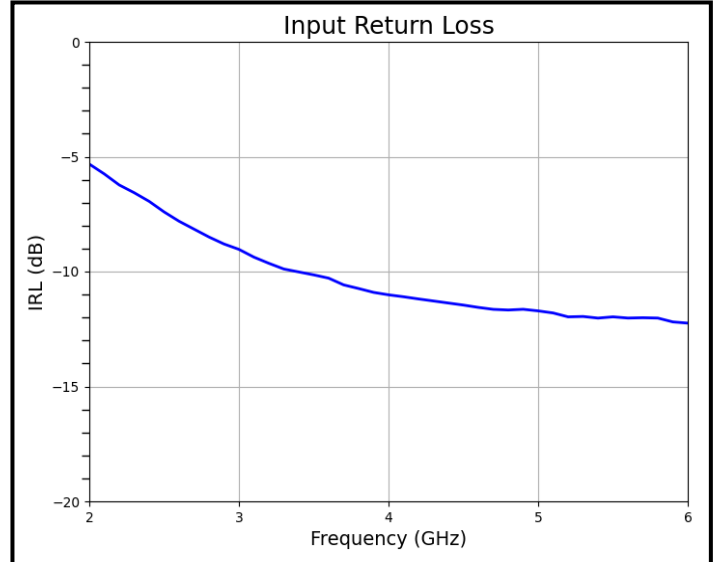
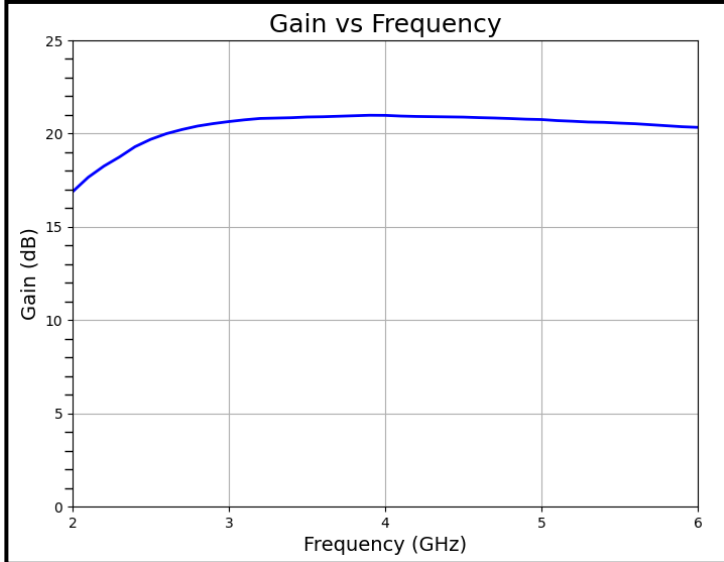
- Packaged ready Die
- Test Results
- Product Datasheet

### Electrical Specification:

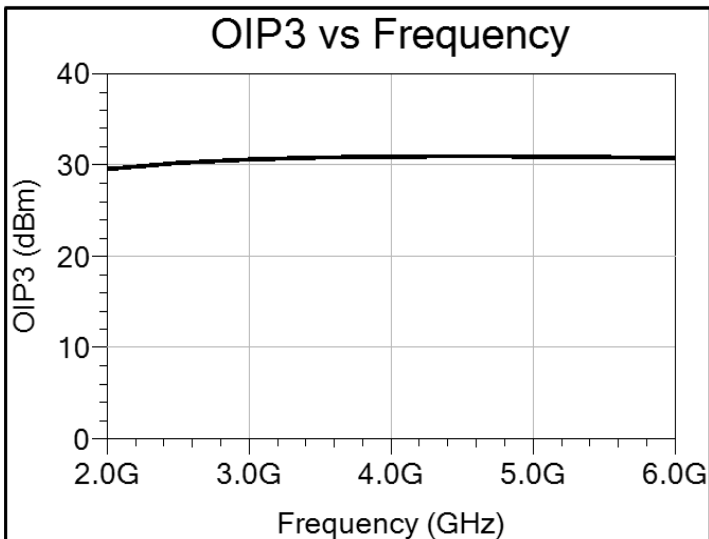
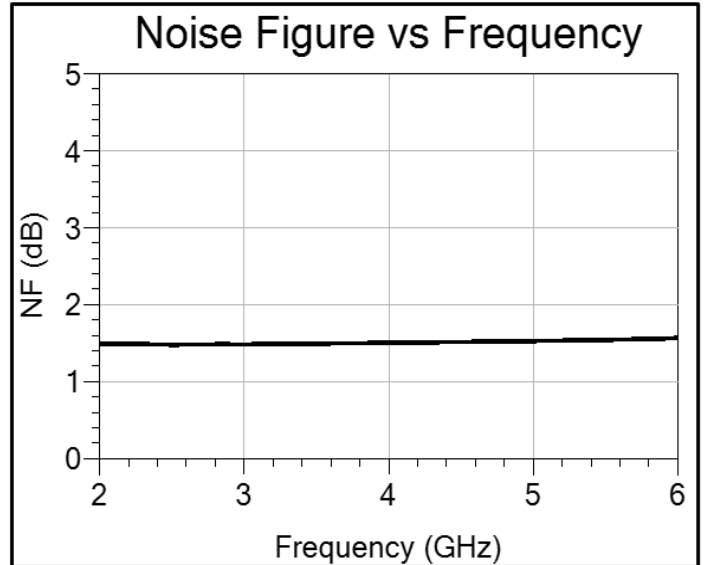
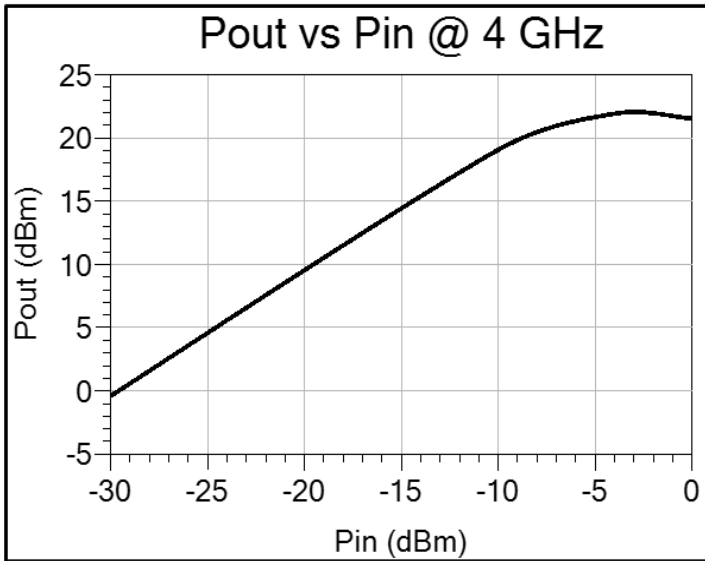
Freq= 2 - 6 GHz, VDD1=VDD2= 5V, VGG1= -0.3 V, ID= 60 mA, Zo=50 Ω

Parameters	Test Condition	Units	Typ
Gain	2 GHz	dB	16.64
	4 GHz		21.27
	6 GHz		10.64
Output P1 dB	2 GHz	dBm	
	4 GHz		23.5
	6 GHz		
OIP3 Pin= 1 dBm Δf = 50MHz	2 GHz	dBm	
	4 GHz		30.9
	6 GHz		
Noise Figure	2 GHz	dB	
	4 GHz		1.5
	6 GHz		
Input Return Loss	2 GHz	dB	4.95
	4 GHz		11.9
	6 GHz		2.58
Output Return Loss	2 GHz	dB	10.42
	4 GHz		37.42
	6 GHz		7.42
<b>Operating Bias Conditions</b>			
Drain Current (Id)	-	mA	60
Drain Voltage (VDD)	-	V	5
Gate Voltage (VGG)	-	V	-0.3

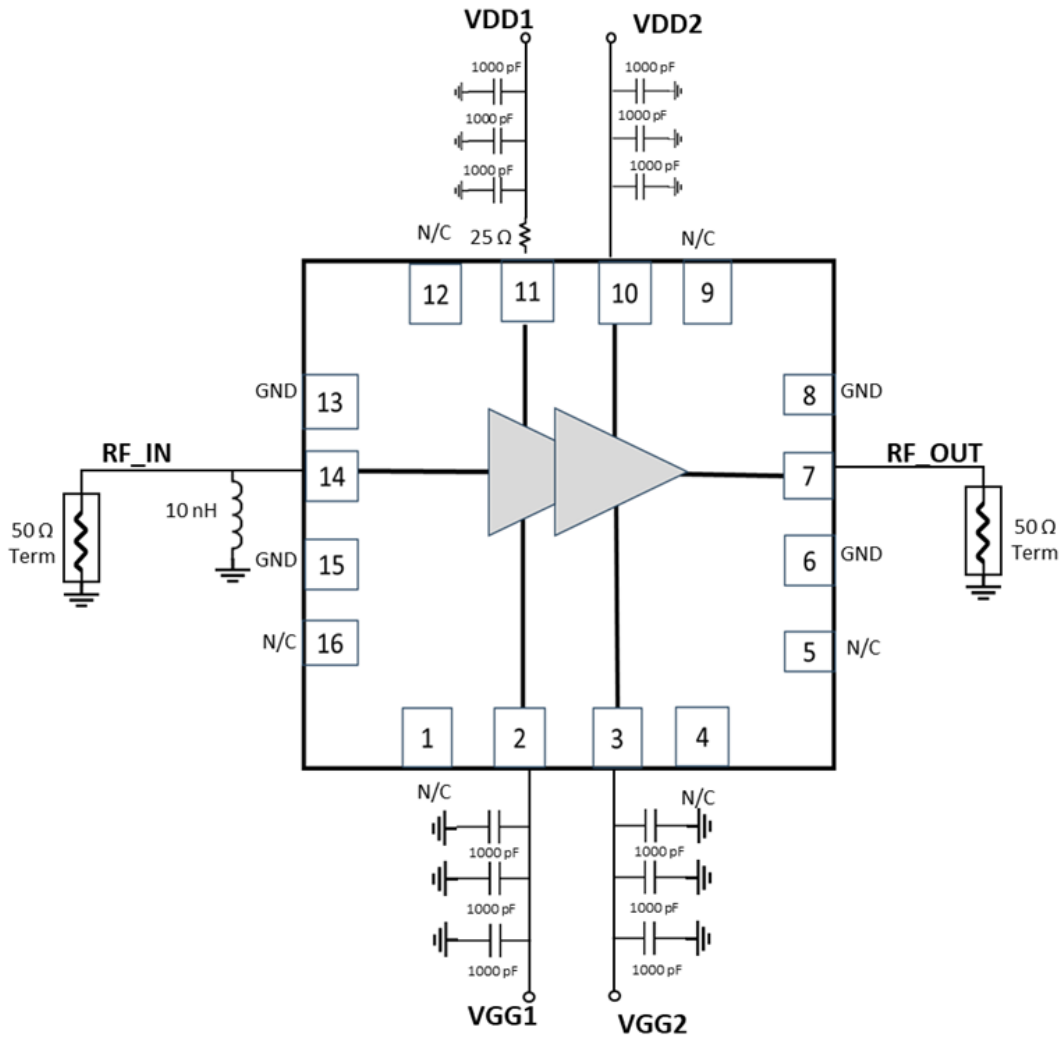
### On Wafer Testing Performance Curves:



### Typical Performance Curves:



### Application Diagram:



### Disclaimer:

Information in this document is provided in connection with Millimeter Chips Pvt. Ltd. products. These materials are provided by Millimeter Chips Pvt. Ltd. as a service to its customers and may be used for informational purposes only. Except as provided in Millimeter Chips Pvt. Ltd. Terms and Conditions of Sale for such products or in any separate agreement related to this document, Millimeter Chips Pvt. Ltd. assumes no liability whatsoever. Millimeter Chips Pvt. Ltd. assumes no responsibility for errors or omissions in these materials. Millimeter Chips Pvt. Ltd. may make changes to specifications and product descriptions at any time, without notice. Millimeter Chips Pvt. Ltd. makes no commitment to update the information and shall have no responsibility whatsoever for conflicts or incompatibilities arising from future changes to its specifications and product descriptions. No license, express or implied, by estoppels or otherwise, to any intellectual property rights is granted by this document.

### Contact information:

For the latest specifications, additional product information:

Web: [www.millimeterchips.co.in](http://www.millimeterchips.co.in)

Email: [smoghe@rficsolutions.com](mailto:smoghe@rficsolutions.com)

Tel: USA - (+1) 840 356 8957,

IND - (+91)9022078131, (+91)8485841789